

MESSRS.

DATE : 2020.01.21
REVISION No. 1.0

APPROVAL SHEET

DESCRIPTION : Global Shutter F-HD High Res. Board Camera

MODEL NO :CM8200G-42

Receipt Stamp



ISSUED

CHECKED

APPROVED

MESSRS.

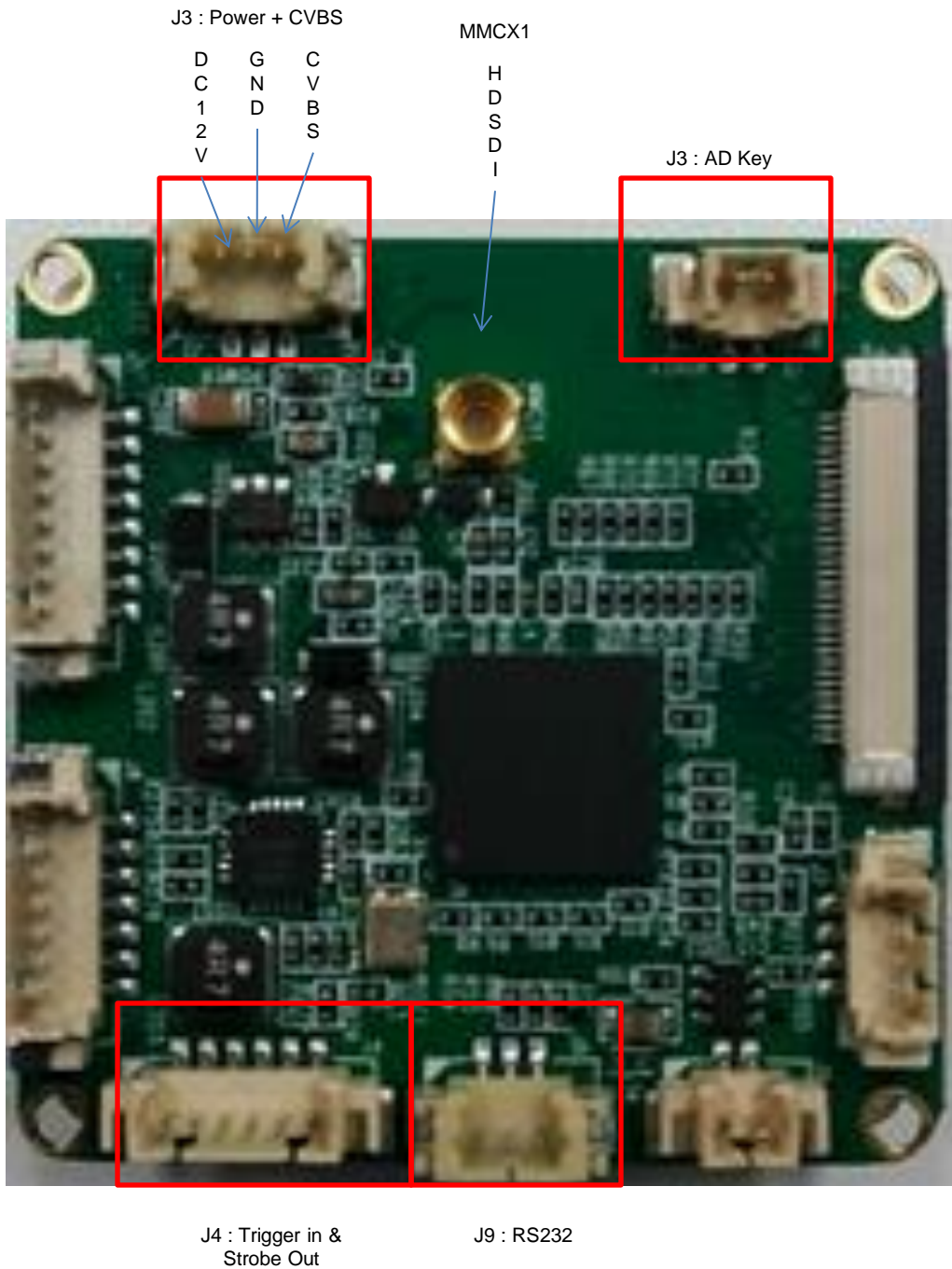
REVISION CONTENTS

NO	REVISION CONTENTS	REVISION DATE	Page	REMARKS

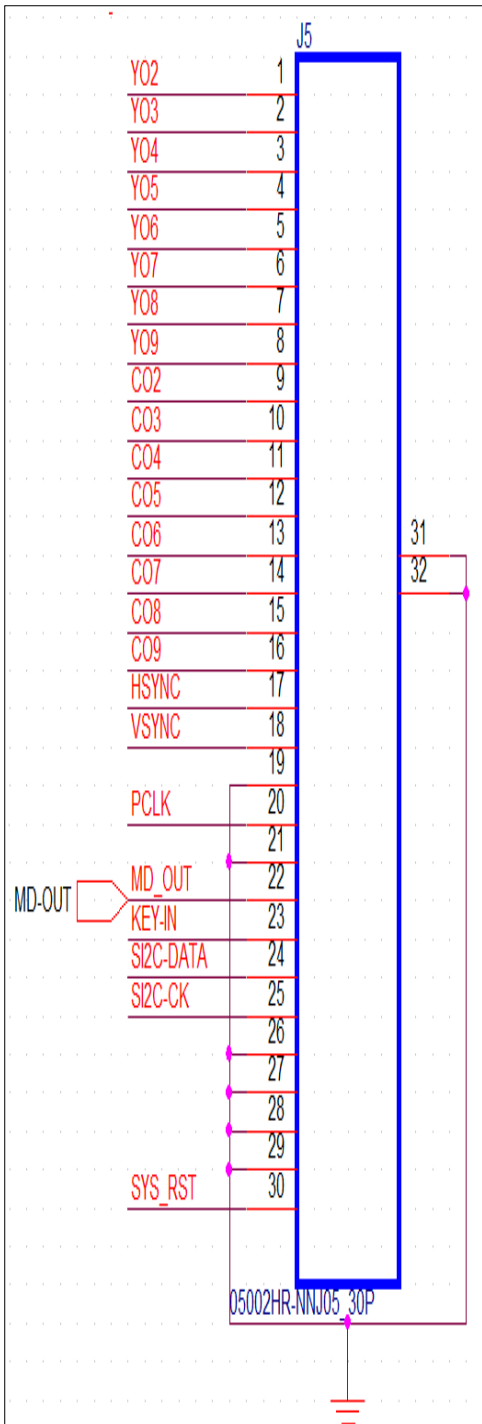
1. SPECIFICATION

Features		Descriptions
Image Sensor	Sony	1 / 1.8" Type SONY Global Shutter CMOS Sensor
Resolution		Digital ; ; 1920x1080p(60/50fps, 30/25fps), 1920x1080i(60/50fps), 1280x720p(60/50,30/25fps) Analog : 700TVL
Min. illumination		Color : 0.5 lux , BW : 0.1lux DSS Color : 0.002 lux , BW : 0.001 lux
Video Output		HD : HDSDI/EXSDI, Analog SD : CVBS
S/N Ratio		more than 90dB
Language		ENGLISH / CHINESE / CHINESE-S / JAPAN / KOREAN
Communication	Protocol	Pelco D/P
	Baud Rate	2400 to 115,200
Power Consumption	Input Voltage	DC12V (+/- 20%)
	Current	Max. 250mA

White Balance	White Balance Mode	AWB/MANUAL/PUSH/AWB-Ext
	Color Temperature	1800K to 10,000K
	ATW	INDOOR /OUT DOOR
	MANUAL	RED GAIN/BLUE GAIN Adjustable
DAY & NIGHT	Mode	AUTO/DAY/NIGHT/CDS/EXT-H/EXT-L
Image	Mode	Sharpness/Color Gain/DIS/Gamma
	Flip	OFF/H/V/H-V Flip
	Shading	ON/OFF
	Gamma	LCD/CRT/User[0.45 to 0.75]
Backlight	Mode	OFF/BLC/WDR/HLC
DNR		LOW/MIDDLE/HIGH
Intelligence MOTION DET		ON/OFF
DEFOG		OFF/1 - 3
IR Strobe Signal		Shutter Strobe
Digital ZOOM		X32
AE MODE	MODE	AUTO(Nomal/Deblur)/MANUAL/Flickeress
	AGC LIMIT	0 - 10
	Shutter Speed 60Hz System 50Hz System	1/30,1/60,1/100,1/120,1/250,1/700,1/1000,1/1600,1/2500,1/5000,1/7000,1/10000,1/30000 1/25,1/60, 1/100,1/250,1/700,1/1000,1/1600,1/2500,1/5000,1/7000,1/10000,1/30000
	Digital Slow Shutter	OFF/x2 to x32

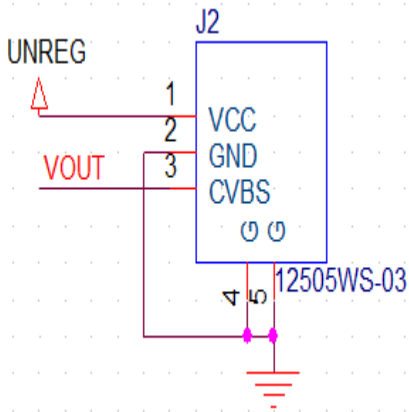


■ Pin Description

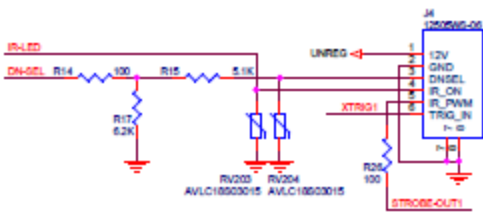


Assignment				
PIN No	PIN Name	I/O	Description	Remark
1	YO2	OUT	Luminance Data 2	
2	YO3	OUT	Luminance Data 3	
3	YO4	OUT	Luminance Data 4	
4	YO5	OUT	Luminance Data 5	
5	YO6	OUT	Luminance Data 6	
6	YO7	OUT	Luminance Data 7	
7	YO8	OUT	Luminance Data 8	
8	YO9	OUT	Luminance Data 9	
9	CO2	OUT	Chroma Data 2	
10	CO3	OUT	Chroma Data 3	
11	CO4	OUT	Chroma Data 4	
12	CO5	OUT	Chroma Data 5	
13	CO6	OUT	Chroma Data 6	
14	CO7	OUT	Chroma Data 7	
15	CO8	OUT	Chroma Data 8	
16	CO9	OUT	Chroma Data 9	
17	HSYNC	OUT	H Sync	
18	VSYNC	OUT	V Sync	
19	GND	-	-	
20	PLCK	OUT	PCLOCK	
21	GND	-	-	
22	MD-OUT	OUT	Motion Detection Alarm Out	
23	KEY-IN	IN	OSD Key In	
24	SI2C-DATA	IN/OUT	I2C SDA	
25	SI2C-CK	IN/OUT	I2C SCL	
26	GND	-	-	
27	GND	-	-	
28	GND	-	-	
29	GND	-	-	
30	SYS_RST	IN	System Reset	

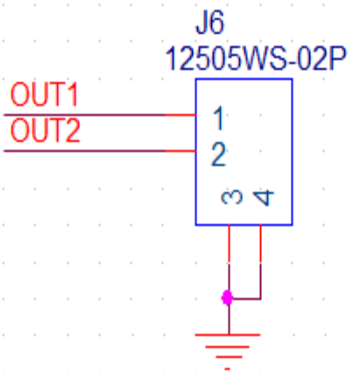
MESSRS.



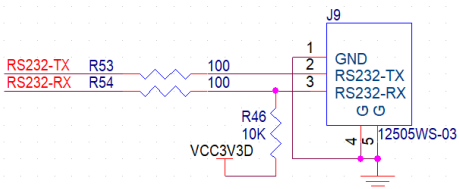
PIN No	PIN Name	I/O	Description	Remark
1	CVBS	OUT	Composite Video Out	
2	GND	-		
3	VCC	IN	DC IN (9 ~ 15V)	



PIN No	PIN Name	I/O	Description	Remark
1	DC12V Out		DC 12V Output	
2	GND		GND	
3	DNSEL	IN	External D/N In	
4	IR_ON	OUT	IR On/Off	
5	IR_PWM	OUT	Strobe_Out	
6	Trigger In	IN	Trigger In	

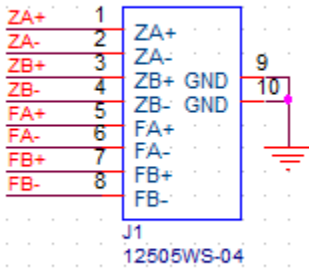


PIN No	PIN Name	I/O	Description	Remark
1	OUT1	OUT	ICR MOTOR +	
2	OUT2	OUT	ICR MOTOR -	

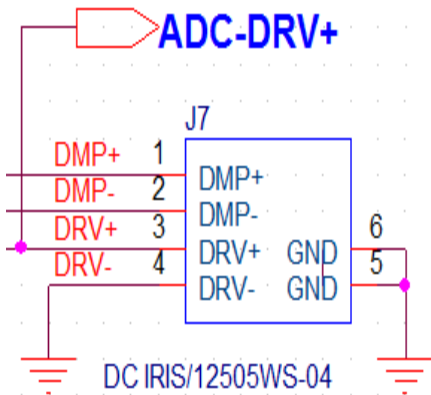


PIN No	PIN Name	I/O	Description	Remark
1	GND	-		
2	RS232 TX	OUT	RS232 TX	3.3V Level
3	RS232 RX	IN	RX 232 RX	3.3V Level

■ Pin Description



PIN No	PIN Name	I/O	Description	Remark
1	ZA+	OUT	ZOOM A+	YTOT 3.6~11mm Motorized lens
2	ZA-	OUT	ZOOM A-	
3	ZB+	OUT	ZOOM B+	
4	ZB-	OUT	ZOOM B-	
5	FA+	OUT	FOCUS A+	
6	FA-	OUT	FOCUS A-	
7	FB+	OUT	FOCUS B+	
8	FB-	OUT	FOCUS B-	

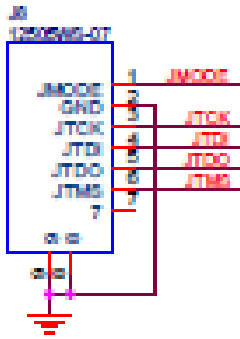


PIN No	PIN Name	I/O	Description	Remark
1	DMP+	OUT	DAMP +	
2	DMP-	OUT	DAMP -	
3	DRV+	OUT	DRIVE +	
4	DRV-	-	DRIVE -	GND



PIN No	PIN Name	I/O	Description	Remark
1	EXSDI/HSDSI	OUT	SDI Out	
2	GND	OUT	-	

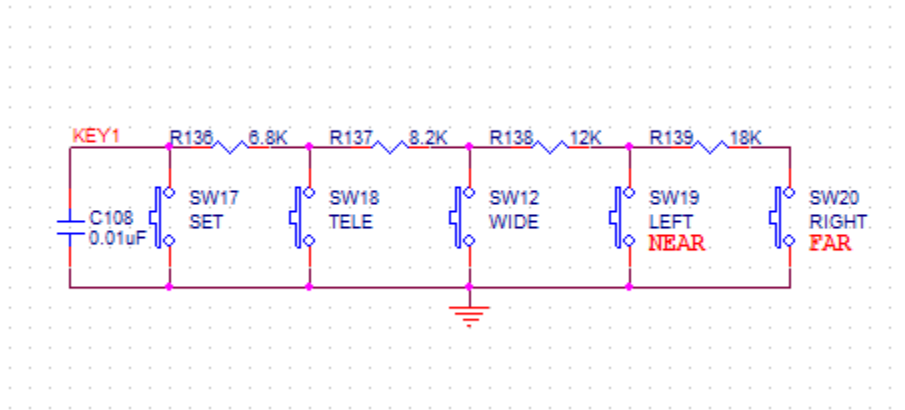
MESSRS.



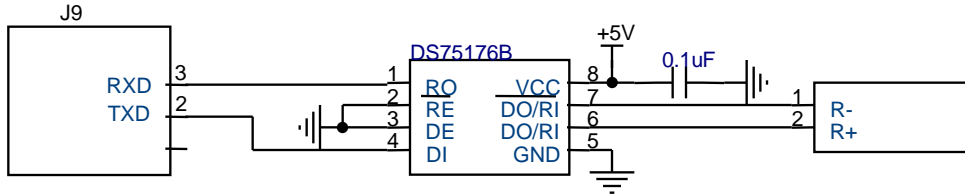
PIN No	PIN Name	I/O	Description	Remark
1	JMODE			FW UPDATE
2	GND			FW UPDATE
3	JTCK			FW UPDATE
4	JTDI			FW UPDATE
5	JTDO			FW UPDATE
6	JTMS			FW UPDATE
7	NC		Not Used	

Application

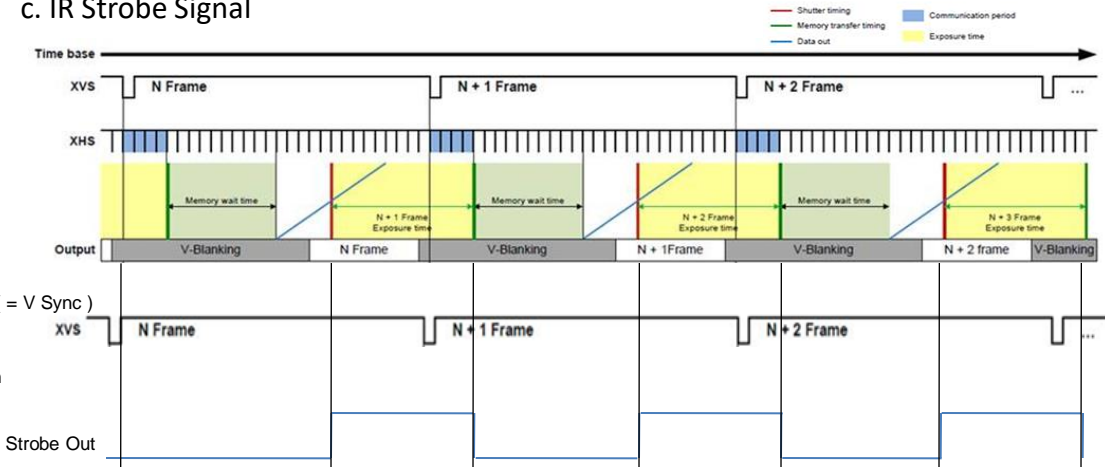
a. OSD AD Key



b. RS485 Interface



c. IR Strobe Signal



1) Current : XVS (= V Sync)

2) Available option

※ Communication

Function	Protocol						
	1Byte	2byte	3byte	4byte	5byte	6byte	7byte
	KEY UP						
MSG	0xFF	ID	0x00	0x20	0x00	0x00	CS
Function	KEY DOWN						
	1Byte	2byte	3byte	4byte	5byte	6byte	7byte
MSG	0xFF	ID	0x00	0x40	0x00	0x00	CS
Function	KEY LEFT						
	1Byte	2byte	3byte	4byte	5byte	6byte	7byte
MSG	0xFF	ID	0x01	0x00	0x00	0x00	CS
Function	KEY RIGHT						
	1Byte	2byte	3byte	4byte	5byte	6byte	7byte
MSG	0xFF	ID	0x00	0x80	0x00	0x00	CS
Function	KEY MENU ON/OFF (Pelco)						
	1Byte	2byte	3byte	4byte	5byte	6byte	7byte
MSG	0xFF	ID	0x00	0x03	0x00	0x5F	CS

※ PELCO “D” Byte Format

- RS-485, 9600bps, 1 Start bit, 8 data bit, 1 stop bit, no parity

4. PCB DIMENSION

